

İMAJ TEKNİK
ELEKTRİK ELEKTRONİK MALZ. SAN. VE TİC. LTD. ŞTİ

INSTANTANEOUS AND FUNCTION RELAYS

Latching relays 2 contacts / 1325



TEC

1325

- ▶ rear wiring socket with clips 9360
- ▶ rear wiring socket / PCB mounting 9370
- ▶ front wiring socket / screw terminals 9350



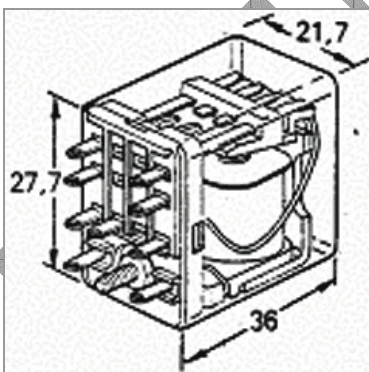
DESCRIPTION

Latching relay with residual magnetism - 2 CO contacts or 1R + 1T double cut-off.

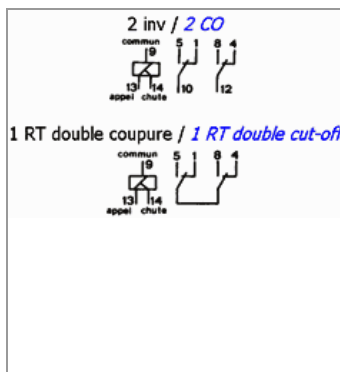
Pluggable on front wiring socket/screw terminals (9350), rear wiring socket with clips(9360) or rear wiring socket/PCB mounting (9370)

Detailed table of coil resistance data is available in the technical support pages of this site or can be sent upon request.

Dimensions



Connection



TECHNICAL FEATURES

Function	latching with residual magnetism
Presentation	under cover
Connection	on front or rear wiring socket
Number of mechanical operations	10.000.000
Operating temperature	- 10 to + 55°C
Storage temperature	- 40°C to + 80°C

Climatic protection	reinforced climatic protection
Shock voltage	50 g 11 ms
Dielectric strength	2 KV 50 Hz
Insulation resistance	> 1.000 MOhms
Weight	50 g.

COIL DATA

	Direct current	Alternative current	
Min. nominal voltage DC	6 V	6 V	
Min. nominal voltage AC	72 V	230 V	
Operating range	-20/+10% de Un		
Power requirement	operate : 1,3 W - release : 0,5 W	1,4 VA	0,6 VA

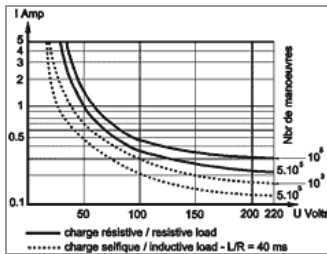
CONTACTS

Number of contacts	2
Contacts material	silver alloy with gold flash
Max. load current	5 A per contact
Low power switching	100 mVA with min. voltage 1 V or I min 1 mA
Short-circuit load	100 A / 30 ms
Response time	DC < 12 ms - AC < 12 ms
Bounce time	< 6 ms

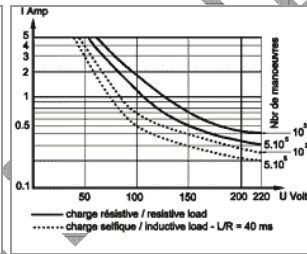
CONTACTS RATING

DIRECT CURRENT

connection on DC

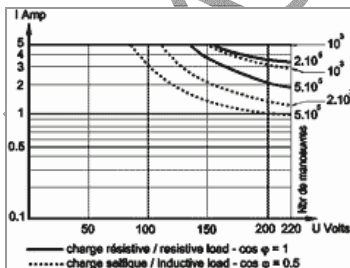


connection on DC - 2 RT



ALTERNATIVE CURRENT

connection on AC



VERSIONS

Many possibilities of contacts position in AC or DC.

Contact us: İMAJTEKNİK LTD ŞTİ

www.imajteknik.com



İmaj Teknik Elektrik Elektronik San. ve Tic. Ltd. Şti.
EMEKYEMEZ MAH.TUTSAK SOK. NO: 16/13-14-15
KARAKOY/İSTANBUL
TURKEY

Telefon : +90 212 235 9535 / 36 www.imajteknik.com
Fax : +90 212 235 9537 www.imajteknik.com.tr